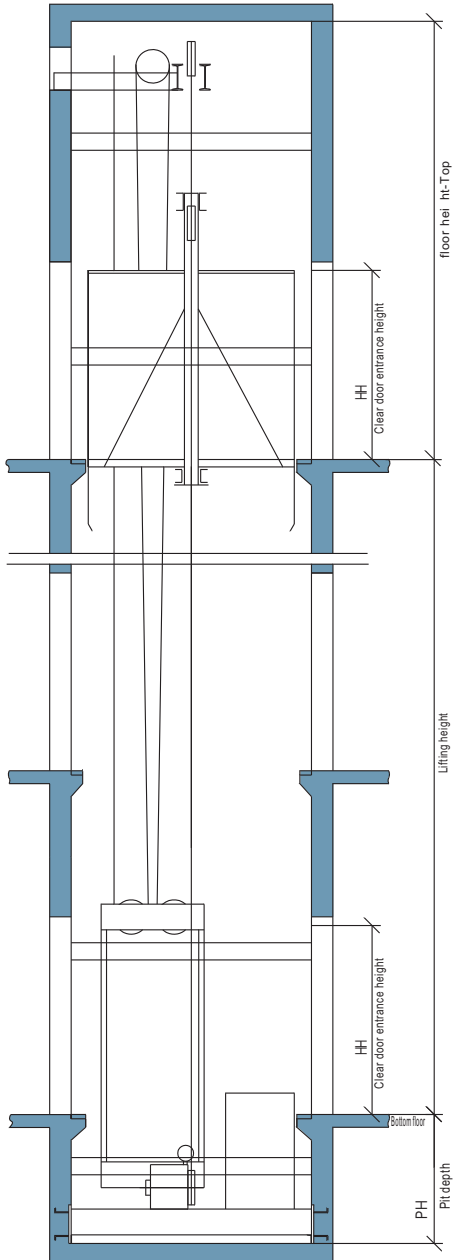
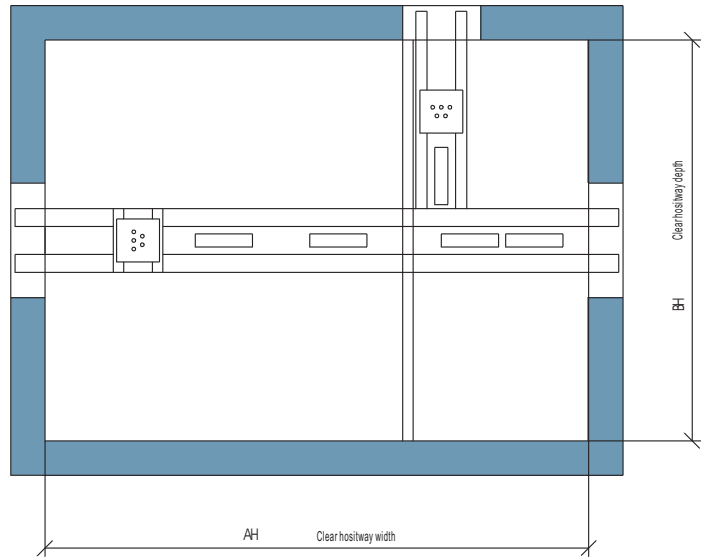


GOODS 2

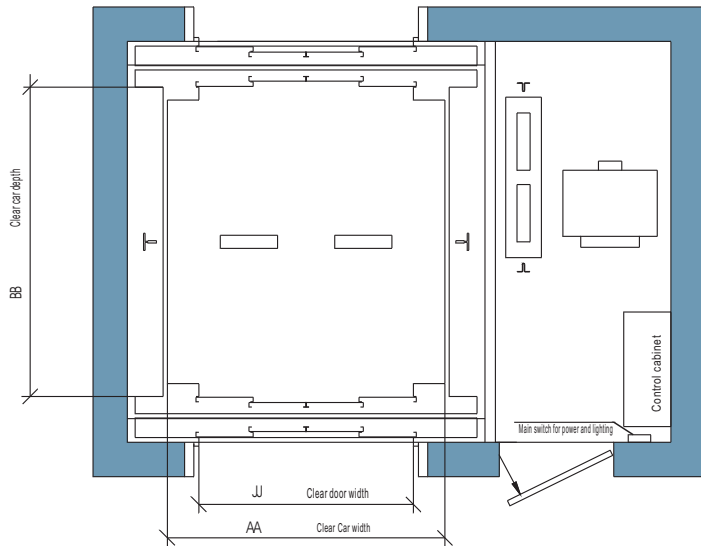
Hoistway elevation drawing



Machine room layout drawing



Hoistway ichnography



Main technical parameters (gearless)

rated capacity (Kg)	rated speed s/m()	car size		door size		hoistway dimensions			
		mm(AA)	mm(BB)	mm(JJ)	mm(HH)	mm(AH)	mm(BH)	mm(PH)	mm(OH)
1600	0.5	1640	2250	1500	2200	3800	2800	1500	5000
2000	0.5	1940	2250	1500	2200	3800	2800	1500	5000